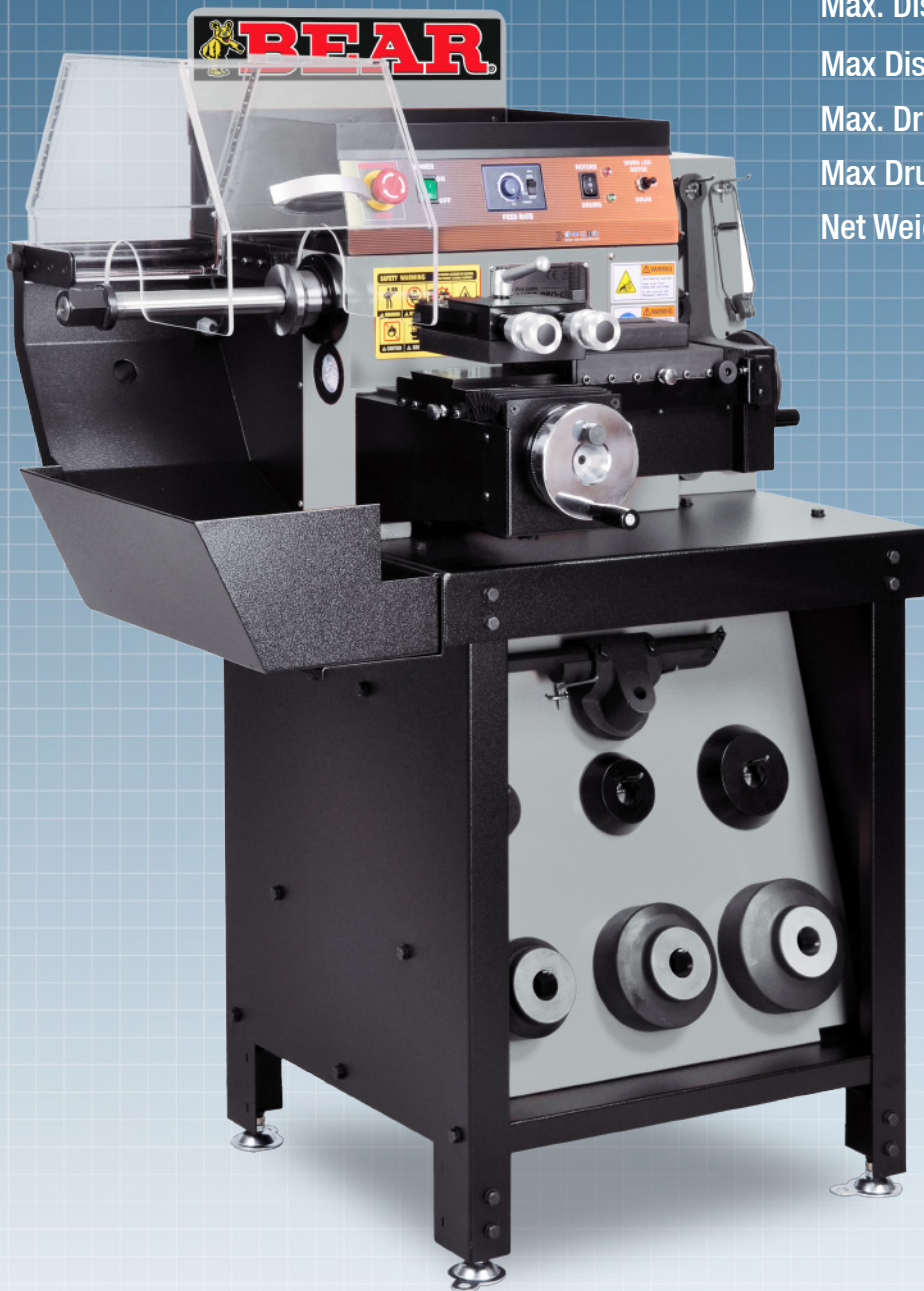


BRAKE LATHE

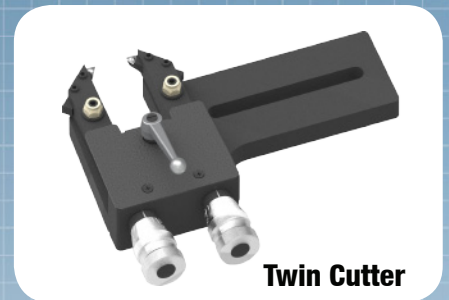
10-1440-10

CARTEK Disc and Drum Lathe Combination for light passenger vehicles. Includes accessories and work bench. Electronically controlled variable feed rate. 1 HP Motor with spindle rotation @110 RPM Max.



SPECIFICATIONS

Drum Diameter	590mm (23.25")
Max. Disc Diameter	420mm (16.5")
Max Disc Thickness	50mm (2")
Max. Drum Depth	140mm(5.5")
Max Drum/Disc weight	60Kg (132lbs)
Net Weight of Equipment	225kg (495lbs)



Twin Cutter



Natural Rubber Drum Band



Complete Cone and Spacer kit

