



HYDRAULIC SCISSOR COMMERCIAL LIFT

*Great performance and the perfect choice
for your commercial service.*



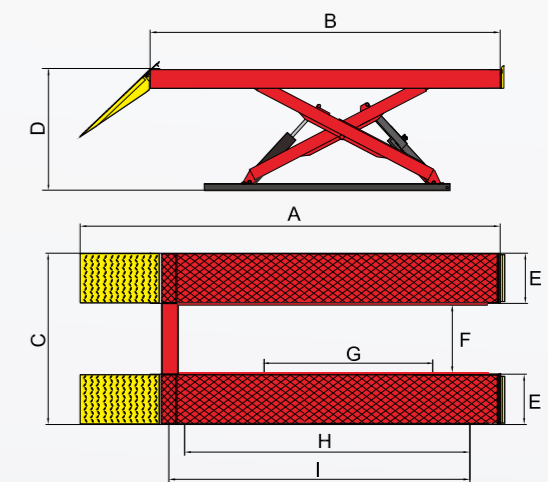
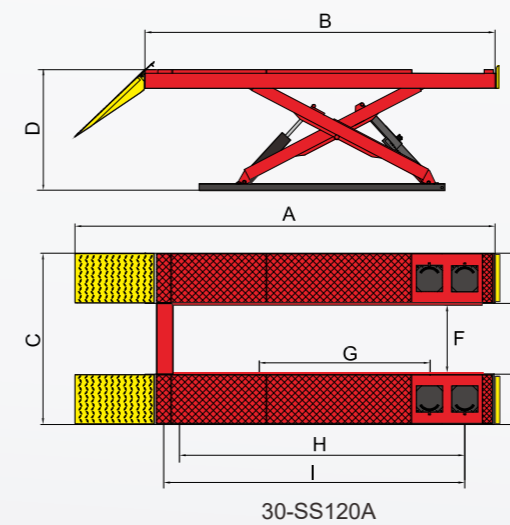
30-SS120A



SCISSOR LIFT

SPECIFICATIONS

Model		30-SS120A	
Style		Alignment	Non-Alignment
Lifting Capacity		12,000lbs (5500kg)	12,000lbs (5500kg)
Lifting Time		75S	75S
Overall Length (Inc. Ramps)	A	258" (6554mm)	258" (6554mm)
Overall Length (No Inc. Ramps)	B	197 1/2" (5018mm)	197 1/2" (5018mm)
Overall Width	C	90 1/8" (2290mm)	90 1/8" (2290mm)
Lifting Height	D		11 3/4-735/8" (300-1870mm)
Runway Width	E	24 5/8" (625mm)	24 5/8" (625mm)
Width Between Runway	F	37 5/8" (955mm)	37 5/8" (955mm)
Min. Four Wheel Align	G	81 7/8" (2080mm)	/
Max. Four Wheel Align	H	167 3/4" (4260mm)	/
Max. Two Wheel Align	I	174" (4420mm)	/
Motor		2.0HP, 220V/60Hz, single phase	
Gross Weight		5,785lbs (2624kg)	4,749lbs (2154kg)



The Cartek Group
6950 East N Avenue Kalamazoo, MI USA 49048
ph: 866-550-1134 email: customerservice@cartek.com
www.bear-cartek.com

HYDRAULIC SCISSOR ALIGNMENT LIFT

This heavy-duty scissor lift has the support of four cylinders and each dual cylinder are designed to work synchronously.

- ✓ 2 dual synchronous cylinders are used to assure the optimal lifting level on both platforms.
- ✓ Electronic-air control system, which operates the self-locking safety mechanism.
- ✓ Heavy-duty design, the X serial scissor lift uses a 5 7/8" x 3" (150 x 75mm) tube to make it strong and assures the runways remain level during operation.
- ✓ Skid proof diamond platform provides traction for the tires to stay put.
- ✓ Optional rolling jacks:
 - J6H: 6,000 lbs with manual pump
 - J6A: 6,000 lbs with pneumatic pump
 - RJ-8A: 8,000 lbs with pneumatic pump
- ✓ More choices:
 - Optional turnplate Kits No. 40101 (30-SS120A)
 - Optional led lights Kits No. 40103001
 - Optional extension Kits No. PX001 (30-SS120A)/PX002 (30-SS120A) Optional airline Kits No. PX004



FEATURES



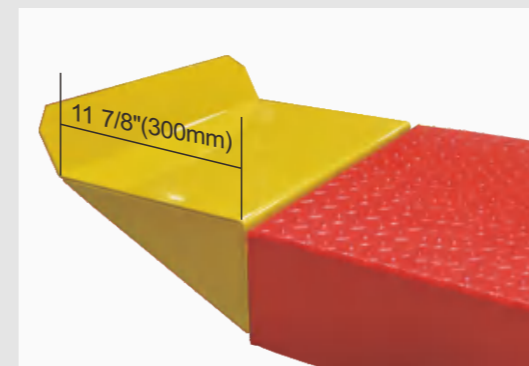
- Mechanical lock and air-driven safety release.



- Pull-out shelf for extra room allows more effective working environments



- Optional LED lights provide extra and efficient lighting for underneath the vehicle.
Kits No.:40103001



- Optional extension kits to extend the platform 11 7/8" (300mm).
Kits No.:PX001(30-SS1201A)
Kits No.:PX002(30-SS1201A)



- Optional airline kits. Easy and convenient installation for all models of rolling jacks with a pneumatic pump.
Kits No.:PX004