



LOW-RISED PORTABLE LIFT

The Portable low-rised lift is an excellent choice for low ceiling or adding a bay for seasonal increases in business. Provides good working height for tires, brakes and body repairs.



30-LR600

PORTABLE LIFT

Main Features

- ✓ Multiple safety locks with mechanical release.
- ✓ Portable, Easy to move with power unit stand.
- ✓ High speed: From 105-600 mm (4 1/8"-23 5/8") in just 25 seconds.
- ✓ High density rubber pads included.

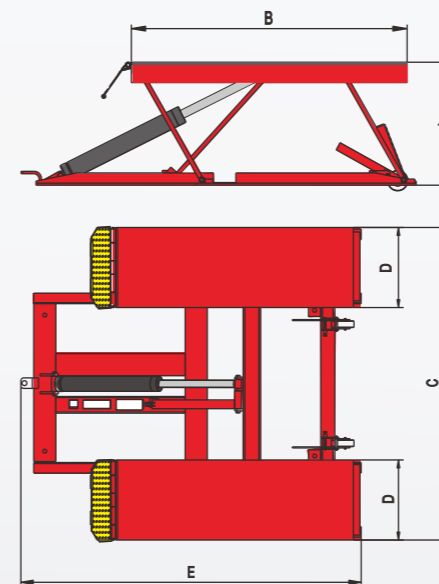


Rubber Lift Pads 1 1/2" height.



Multiple safety locks with mechanical release.

SPECIFICATIONS



Model	30-LR600	
Lifting Capacity	6,000lbs (2800kg)	
Lifting Time	25S	
Lifting Height	A1	23 5/8" (600mm)
Minimum Height	A2	4 1/8" (105mm)
Runway Length	B	53 1/4" (1352mm)
Overall Width	C	70" (1780mm)
Runway Width	D	18" (456mm)
Overall Length	E	76 1/4" (1938mm)
Gross Weight	849 lbs (385kg)	
Motor	1.0HP,110V/60Hz,single phase	

The Cartek Group
6950 East N Avenue Kalamazoo, MI USA
49048 ph: 866-550-1134
email: customerservice@cartek.com
www.bear-cartek.com