

LOW-RISED PORTABLE LIFT

The Portable low-rised lift is an excellent choice for low ceiling or adding a bay for seasonal increases in business. Provides good working height for tires, brakes and body repairs.

30-LR100



Main Features

- ✓ Automatic multiful safety locks.
- ✓ Automatical safety lock release.
- ✓ Portable unit is easy to move with the power unit stand.
- ✓ High speed: From 105-600 mm(4 1/8"-23 5/8") in just 50 seconds .
- ✓ Standard rubber pads included.

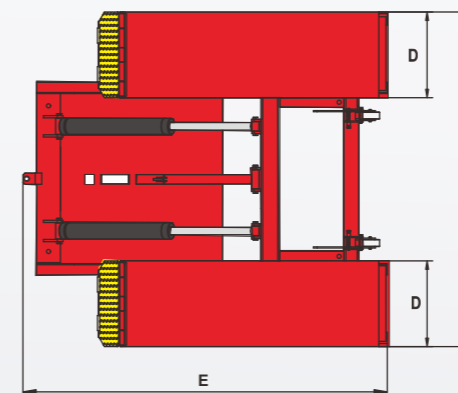
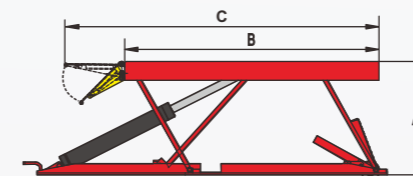


Both 1 1/2" and 3" height Rubber Pads



Extend the platform to 66".

SPECIFICATIONS



Model	30-LR100	
Lifting Capacity	10,000lbs (4500kg)	
Lifting Time	50S	
Lifting Height	A1	23 5/8" (600mm)
Minimum Height	A2	4 1/8" (105mm)
Runway Length	B	53 1/4" (1352mm)
Overall Runway Length (Inc. Ramp)	C	66" (1676mm)
Runway Width	D	21 3/4" (556mm)
Overall Length	E	76 1/4" (1938mm)
Overall Width	F	78" (1980mm)
Gross Weight	1,069 lbs (485kg)	
Motor	1.0HP,110V/60Hz,single phase 2.0HP,220V/60Hz,single phase	

The Cartek Group
6950 East N Avenue Kalamazoo, MI USA 49048
ph: 866-550-1134 / email: customerservice@cartek.com
www.bear-cartek.com